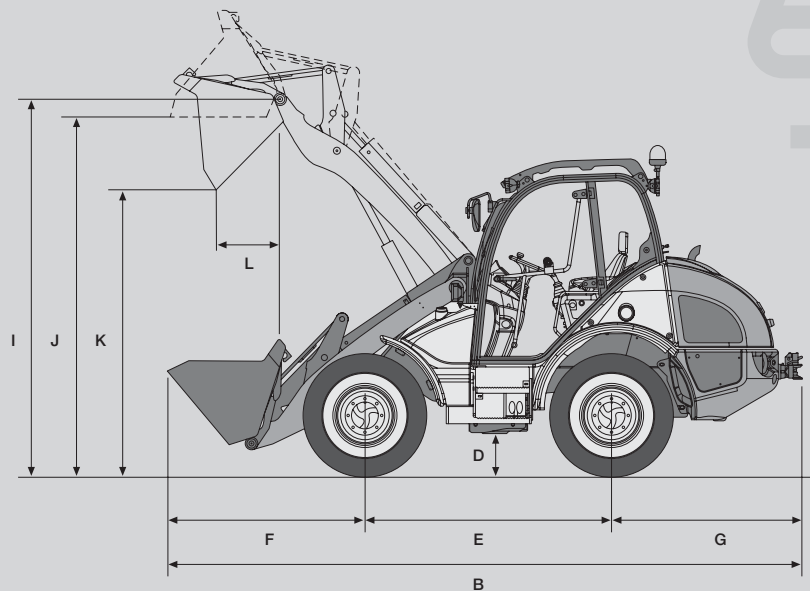



With standard bucket and standard tyres  
(front view)



With standard bucket and standard tyres

<b>DIMENSIONS</b>	<b>380</b>	<b>480</b>	<b>580</b>	<b>680</b>	<b>780</b>
<b>A</b> Height (without protective grille)	2450 mm	2480 mm	2480 mm	2640 mm	2680 mm
<b>B</b> Length	5080 mm	5280 mm	5410 mm	5710 mm	5800 mm
<b>C</b> Width	1750 mm	1780 mm	1780 mm	1920 mm	1970 mm
<b>D</b> Ground clearance	300 mm	330 mm	330 mm	350 mm	390 mm
<b>E</b> Wheelbase	2020 mm	2020 mm	2020 mm	2150 mm	2150 mm
<b>F</b> Centre of front axle to tip of teeth	1570 mm	1770 mm	1900 mm	1940 mm	2030 mm
<b>G</b> Centre of rear axle to end of vehicle	1490 mm	1490 mm	1490 mm	1620 mm	1620 mm
<b>H</b> Bucket width	1750 mm	1850 mm	1950 mm	2050 mm	2150 mm
<b>I</b> Pin height	3065 mm	3250 mm	3250 mm	3285 mm	3450 mm
<b>J</b> Load-over height	2915 mm	3100 mm	3050 mm	3050 mm	3200 mm
<b>K</b> Dump height	2400 mm	2500 mm	2500 mm	2500 mm	2720 mm
<b>L</b> Dump reach	650 mm	660 mm	650 mm	750 mm	660 mm
Pallet height	2800 mm	3000 mm	3000 mm	3000 mm	3200 mm

380  
480  
580  
680  
780

 OPERATIONAL DATA	380	480	580	680	780
<b>Bucket capacity</b>	0,75 – 1,15 m <sup>3</sup>	0,85 – 1,3 m <sup>3</sup>	0,95 – 1,5 m <sup>3</sup>	1,05 – 1,6 m <sup>3</sup>	1,15 – 1,8 m <sup>3</sup>
<b>Weight</b>	4300 kg	4750 kg	4900 kg	5650 kg	6100 kg
<b>Turning radius wheel outside edge</b>	2900 mm	2900 mm	2900 mm	2950 mm	2950 mm
<b>ENGINE</b>					
<b>Make / Type / Model</b>	Deutz D 2011 L04 W in-line diesel engine				
<b>Output</b>	45 kW / 61 hp at 2300 rpm	45 kW / 61 hp at 2300 rpm 58 kW / 79 hp *	58 kW / 79 hp at 2300 rpm	58 kW / 79 hp at 2300 rpm	58 kW / 79 hp at 2300 rpm
<b>Max. torque</b>	210 Nm at 1700 rpm	210 Nm at 1700 rpm	270 Nm at 1600 rpm	270 Nm at 1600 rpm	270 Nm at 1600 rpm
<b>Engine displacement</b>	3619 cm <sup>3</sup>	3619 cm <sup>3</sup>	3619 cm <sup>3</sup>	3619 cm <sup>3</sup>	3619 cm <sup>3</sup>
<b>Emissions</b>	tested and certified as per 97/68EC, emissions standard level 3a				
<b>POWER TRANSMISSION</b>					
<b>Drive</b>	continuously variable hydrostatic axial-piston gearbox, 4-wheel drive, brake/inching pedal				
<b>Drive speed</b>	0–20 kph 0–30 kph * 0–40 kph *	0–20 kph 0–30 kph * 0–40 kph *	0–20 kph 0–30 kph * 0–40 kph *	0–20 kph 0–30 kph * 0–40 kph *	0–20 kph 0–30 kph * 0–35 kph *
<b>Axles</b>	Planetary steering drive axles, Front axle screwed rigid to the frame, Oscillating rear axle				
<b>Total oscillation angle</b>	22°	22°	22°	22°	22°
<b>Differential lock in front and rear axles</b>	Self-locking differential	Self-locking differential	Self-locking differential	100% locked	100% locked
<b>Service brake</b>	foot pedal operated hydraulic disc brake				
<b>Parking brake</b>	hand-operated mechanical disc brake				
<b>Standard tyres</b>	12,5–18	12,5–20	12,5–20	14,5–20	405/70–24
<b>STEERING AND WORK HYDRAULICS</b>					
<b>Mode of function</b>	hydrostatic all-wheel steering with emergency steering properties				
<b>Steering pump</b>	hydraulic pump, steering unit with priority valve				
<b>Steering ram</b>	double-acting, with automatic synchronization in final position				
<b>Max. steering angle</b>	2 x 40°	2 x 40°	2 x 40°	2 x 40°	2 x 40°
<b>Work pump</b>	Gear pump				
<b>Flow rate</b>	50 l/min	70 l/min	70 l/min	84 l/min	84 l/min
<b>Pressure</b>	240 bar	240 bar	240 bar	240 bar	240 bar
<b>Filter</b>	Combined suction reflux filter				
<b>Pressure limitation</b>	Primary pressure limitation, secondary pressure in tilt ram/lift ram				
<b>KINEMATICS</b>					
<b>Model</b>	Parallel kinematics				
<b>Lifting capacity</b>	34 kN	43,8 kN	43,6 kN	44,5 kN	46,3 kN
<b>Tear-out force</b>	31,8 kN	40,7 kN	39,4 kN	40,2 kN	41,9 kN
<b>Raising Lowering</b>	5,0 sec 4,7 sec	6,0 sec 4,0 sec	6,0 sec 4,0 sec	5,2 sec 3,8 sec	6,2 sec 4,8 sec
<b>Tilting in Tilting out</b>	2,5 sec 3,3 sec	2,4 sec 2,4 sec	2,4 sec 2,4 sec	2,5 sec 2,8 sec	2,3 sec 2,9 sec
<b>Tilt-in angle Tilt-out angle</b>	50° 45°	50° 45°	50° 45°	50° 45°	50° 45°
<b>Tipping load (standard bucket)</b>	3500 kg	3500 kg	3750 kg	4100 kg	4300 kg
<b>Tipping load (pallets)</b>	2500 kg	2750 kg	2875 kg	3125 kg	3625 kg
<b>Payload S = 1.25 (pallets)</b>	2000 kg	2200 kg	2300 kg	2500 kg	2900 kg
<b>Payload S = 1.67 (pallets)</b>	1500 kg	1650 kg	1700 kg	1850 kg	2170 kg
<b>Payload in transport position S = 1.25 kg (pallets)</b>	2400 kg	2600 kg	2750 kg	3100 kg	3500 kg
<b>Scraping depth</b>	50 mm	60 mm	60 mm	60 mm	55 mm
<b>CAPACITIES</b>					
<b>Fuel tank / Extra tank (optional)</b>	85 l / 60 l	85 l / 60 l	85 l / 60 l	120 l / –	120 l / –
<b>Hydraulic oil tank</b>	50 l	50 l	50 l	50 l	50 l
<b>NOISE EMISSIONS</b>	as per 2000/14/EC				
<b>ELECTRIC SYSTEM</b>					
<b>Operating voltage / Battery</b>	12 V / 88 Ah	12 V / 88 Ah	12 V / 88 Ah	12 V / 88 Ah	12 V / 88 Ah
<b>Alternator</b>	95 A	95 A	95 A	95 A	95 A
<b>Starter</b>	2,3 kW	2,3 kW	2,3 kW	2,3 kW	2,3 kW

## STANDARD EQUIPMENT

380 • 480 • 580 • 680 • 780

### CAB

Soundproofed, vibration-insulated, 4-point suspension cab, with large, curved, tinted windows. Excellent all around visibility from a spacious and comfortable work environment for increased safety and efficiency. Extremely roomy cab with a large number of storage possibilities. Optimized visibility for a maximum dump height.

**Mounting / alighting.** The cab can be accessed from both sides using the large and convenient steps, and on the right thanks to the collapsible control console.

**Doors.** The fully-glazed doors provide optimal side visibility. Both doors can be opened and folded back 180°, and the right-hand door can be locked at an angle of 5°. Full access through right-hand door by folding back the joystick console.

**Driver's seat.** Mechanically-sprung comfort seat with automatic seat belt, weight adjustment, backrest adjustment and dual horizontal adjustment.

**Heating, ventilation.** 3-speed powerful heating and ventilation with recirculated-air mode, defroster nozzles on the front windscreen with four additional adjustable nozzles.

**Instrument panel.** Neatly designed instrument panel with control lights and colour-coded tip switches.

**Steering column.** Telescopic and incline-adjustable.

**Joystick console (collapsible).** Ergonomically laid-out cockpit controls including:

- hydraulically pilot-controlled joystick for raising/lowering and tilting in/tilting out the boom, with rocker switch for selecting the drive direction along with integrated 3<sup>rd</sup> control circuit (proportional steering) for locking/unlocking the quick-hitch plate and for operating hydraulic implements.

- function lighting integrated in the joystick.

- Switch for 3<sup>rd</sup> control circuit (continuous operation).

**680** Switch for 100% differential lock.

**780**

**Rearview mirrors.** Large outside mirrors, foldable to notched positions on either side.

**Sun visor**

**Screen wipers.** Front and rear. Extremely large wipe radius, offering the driver unimpaired vision through 90% of the front windscreen. The large washer fluid container offers extended use before the need for refill.

**Floor mat.** The floor mat is level with the frame. This, along with the hanging pedals, makes the cab floor easy to clean.

**Cab lights**

**12V socket**

### LIGHTS

**Headlights.** 2 at front with main / dipped beam and side light

**Working lights.** 1 at left rear

**Rear lights, brake lights, indicators**

### ENGINE HATCH

Opens wide for optimal maintenance access.

### QUICK-HITCH FACILITY

**Hydraulic.** 3<sup>rd</sup> control circuit including hose lines and quick-connects.

### ENGINE AIR SUPPLY

With air filter safety cartridge.

### KEY SYSTEM

One-key system for doors, ignition, engine hatch and fuel tank.

### TYRES

**380** 12.5–18

**480** 12.5–20

**580** 12.5–20

**680** 14.5–20

**780** 405/70–24

## OPTIONS

380 • 480 • 580 • 680 • 780

### CAB

**Air-sprung driver's seat, FOPS protective screen, protective grille for front windscreen, programmable auxiliary heating (incl. engine preheating), heated seat, heated outside mirrors, air conditioning, tinted glass, radio unit, radio installation setup, rotating beacon, 1 additional rear working light, 2 front working lights**

### PERFORMANCE OPTIONS

**4th control circuit for front tool attachments**

**Additional circuit for rear tool attachments**

**Unpressurised front reflux**

**Floating position**

**Shock absorber with automatic function (load stabiliser)**

**Tipper hydraulics**

**Powerflow work hydraulics** with increased pump performance

**Electric socket** for front and rear tool attachments

**Manual throttle**

**Low-speed control**

**Fuel and hydraulic fluid pre-heating**

**Engine preheating** through auxiliary heating

**Work platform attachments**

**Crab steering and front-wheel steering**

**Automatic bucket return**

**Ball coupling for trailer**

**Automatic trailer coupling**

**680** Air brake unit

### TYRES

**Wide-base tyres, traction tyres, tyres for industrial applications**

**Puncture protection kit**

**Foam-filled tires** (up to 20 kph)

**Snow chains**

### SAFETY & SECURITY

**Warning stripes**

**Engine immobiliser**

**Toolkit**

**Hose burst valves** for lift and tilt rams

**Protection against aggressive environments**

**Reversing warning system**

**Battery master switch**

### ECOSPEED

**Stepless high-speed drive** 0-40 kph

**780** 0–35 kph

### PAINT OTHER THAN STANDARD

#### BIODEGRADABLE OIL

PANOLIN HLP Synth46

### WARRANTY EXTENSION

## TOOL ATTACHMENTS

380 • 480 • 580 • 680 • 780

Pallet forks, standard bucket, grab bucket, lightweight materials bucket, super-lightweight materials bucket, high-tilt bucket, side-swing bucket, bulk materials bucket, tree replanter, front ripper, material pusher, work platform, snow shovel, snow

blower, cold planer, street cleaner, snow blade, hydraulic rear gritter, trailer, 3-point adapter with PTO.

Other tool attachments on request.